

ADMAGNETICS

Product Data Sheet Single Phase Transformers up to 20 kVA

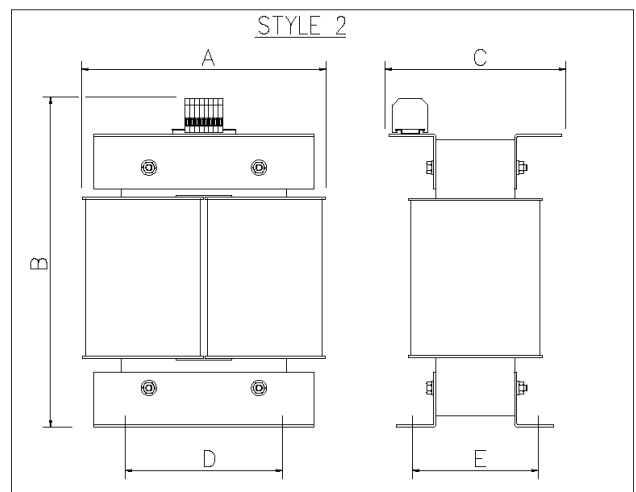
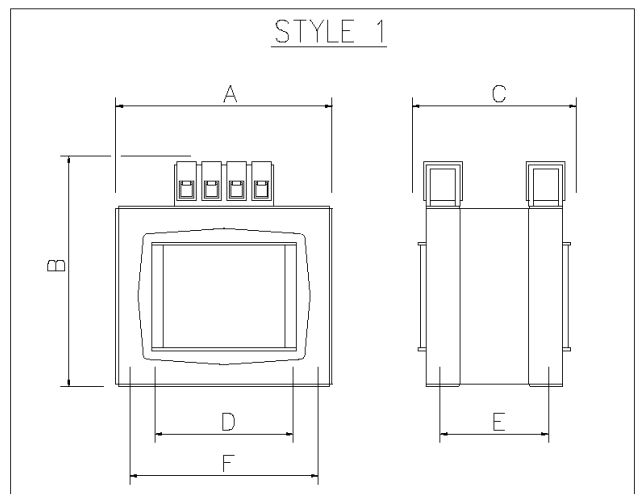
Our ranges of transformers are custom built to meet the client's specific requirements, using high quality materials throughout.

Transformers can be designed to meet the requirements of British, European and other international standards.

Ventilated and sealed enclosures together with a large selection of fittings can be provided.



Nominal VA	A	B	C	D	E	F	Style	Weight (kg)
25	69	76	60	44.5	34	n/a	1	0.8
50	80	90	60	54	39	n/a	1	1.1
75	80	90	70	54	52	n/a	1	1.3
100	98	110	70	63.5	46	80	1	2.1
150	98	110	83	63.5	59	80	1	2.8
200	118	125	87	63.5	56	95	1	3.8
250	118	125	90	63.5	62	95	1	4.0
300	118	125	100	63.5	68	95	1	4.2
400	137	140	108	89	57	115	1	5.5
500	137	140	127	89	84	115	1	7.4
750	168	165	120	89	78	119	1	10.2
1000	168	165	140	89	97	119	1	12.6
1500	216	230	140	115	95	160	1	17.4
2000	216	230	153	115	108	160	1	21.0
2500	216	230	165	115	121	160	1	26.0
3000	235	250	205	114	140	162	1	36.0
4000	235	250	230	114	165	162	1	44.0
5000	286	290	216	165	152	n/a	1	56.0
6000	286	290	235	165	171	n/a	1	65.0
7500	310	500	195	200	145	n/a	2	58.0
10000	310	500	220	200	170	n/a	2	75.0
12500	310	500	245	200	195	n/a	2	88.0
15000	310	500	270	200	220	n/a	2	105.0
20000	310	500	320	200	270	n/a	2	132.0



The indicated frame sizes allow for typical voltages of 415 to 110 Volts, primary tapplings of nominal +/- 5% (if required) and a maximum ambient air temperature of 40 ° C. All dimensions are in millimetres.



Admagnetics, Bolton Avenue, Huncoat, Accrington, Lancashire, BB5 6NJ, United Kingdom
Tel: +44 (0)1254 381869 | Fax: +44 (0)1254 381674 | Email: sales@admagnetics.co.uk

Disclaimer: We have taken all reasonable care to ensure that this information is accurate on the stated issue date or last modification. The company takes no responsibility for the consequences of error or for any loss or damage suffered by users of any of the information published on any of these pages, and such information does not form any basis of a contract with readers or users of it.

© Copyright ADM Solutions Limited 2010. All rights reserved. Issue 1.0 (201007)